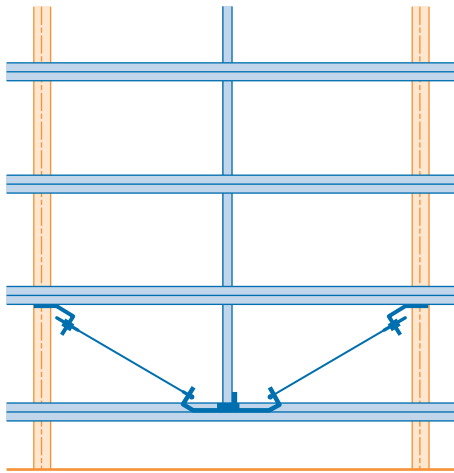
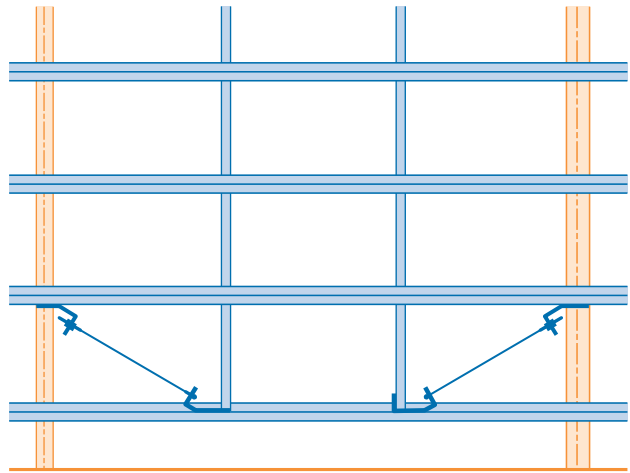


Purlins

Diagonal Tie Wires

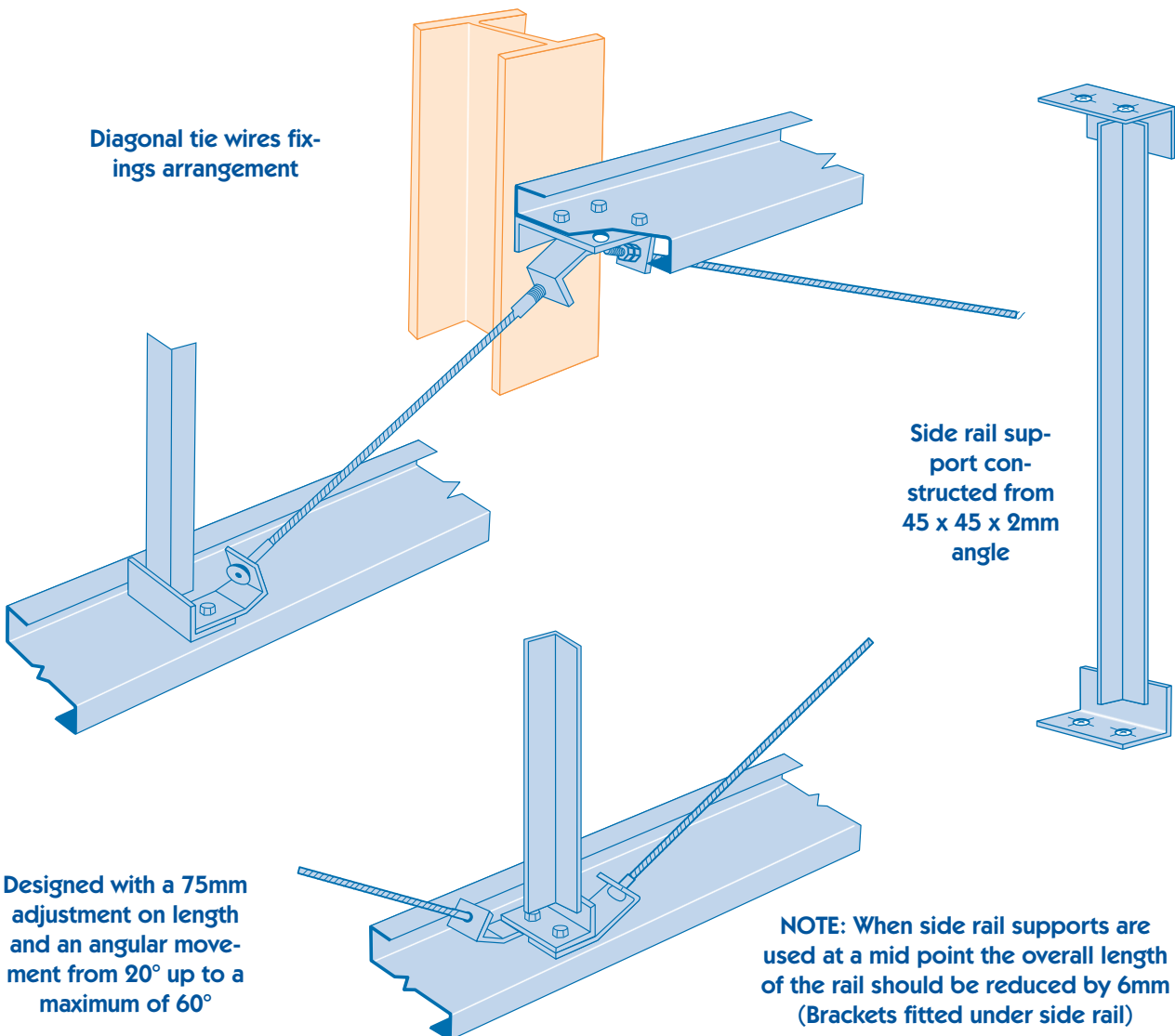


Spans up to 6.0 metres
Single side rail support arrangement



Spans over 6.0 metres
Double side rail support arrangement

Diagonal tie wires fixings arrangement



Side rail support constructed from 45 x 45 x 2mm angle

Designed with a 75mm adjustment on length and an angular movement from 20° up to a maximum of 60°

NOTE: When side rail supports are used at a mid point the overall length of the rail should be reduced by 6mm (Brackets fitted under side rail)