

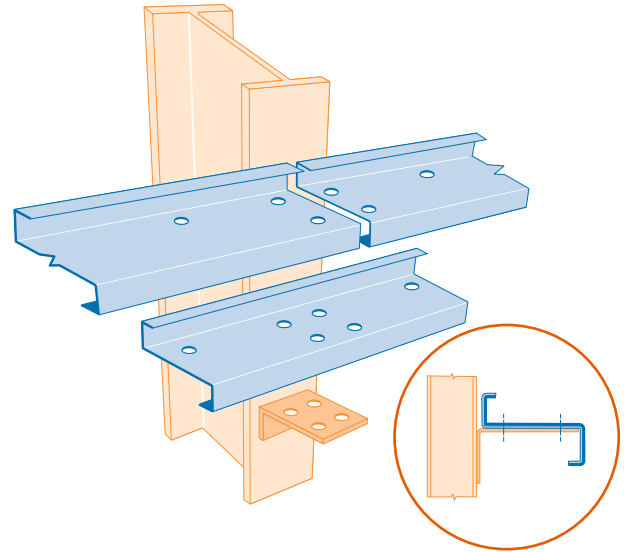
# Side Rail Sleeve System Purlins

Metric load tables for sleeved side rails for spans up to 8.5 metres.

## Types of Cladding

The loads shown relate directly to metal cladding and allowance for its weight has been made. Figures shown are for horizontal wind pressure and assume 1 row of side rail supports at mid span up to 6 metres and 2 rows for larger spans.

For suction multiply values by a factor of 0.8.



## Asbestos Cladding

Spans up to 5.5 metres – 1 row of side rail supports at mid span.

Spans over 5.5 metres – 2 rows of side rail supports.

Span Metres	Section	U.D.L. kN	(Purlin Centres (mm))					Allowable Loads kN/m <sup>2</sup>			
			1000	1200	1375	1500	1675	1800	2000	2500	
3.5	12115	12.77	3.65	3.04	2.65	2.43	2.18	2.03	1.82	1.46	
	12116	13.72	3.92	3.27	2.85	2.61	2.34	2.18	1.96	1.57	
	14015	13.51	3.86	3.22	2.81	2.57	2.30	2.14	1.93	1.54	
	14016	14.54	4.15	3.46	3.02	2.77	2.48	2.31	2.08	1.66	
	14018	15.44	4.41	3.68	3.21	2.94	2.63	2.45	2.21	1.76	
	14020	16.92	4.83	4.03	3.52	3.22	2.89	2.69	2.42	1.93	
	17715	16.44	4.70	3.91	3.42	3.13	2.80	2.61	2.35	1.88	
	17716	17.57	5.02	4.18	3.65	3.35	3.00	2.79	2.51	2.01	
	17718	19.52	5.58	4.65	4.06	3.72	3.33	3.10	2.79	2.23	
	17720	21.42	6.12	5.10	4.45	4.08	3.65	3.40	3.06	2.45	
	20018	25.22	7.21	6.00	5.24	4.80	4.30	4.00	3.60	2.88	
	20020	28.88	8.25	6.88	6.00	5.50	4.92	4.58	4.13	3.30	
20025	33.11	9.46	7.88	6.88	6.31	5.64	5.26	4.73	3.78		
4.0	12115	10.67	2.67	2.22	1.94	1.78	1.59	1.48	1.33	1.07	
	12116	11.45	2.86	2.38	2.08	1.91	1.71	1.59	1.43	1.15	
	14015	11.35	2.84	2.36	2.06	1.89	1.69	1.58	1.42	1.14	
	14016	12.22	3.06	2.55	2.22	2.04	1.82	1.70	1.53	1.22	
	14018	12.99	3.25	2.71	2.36	2.17	1.94	1.80	1.62	1.30	
	14020	14.22	3.56	2.96	2.59	2.37	2.12	1.98	1.78	1.42	
	17715	13.95	3.49	2.91	2.54	2.33	2.08	1.94	1.74	1.40	
	17716	14.90	3.73	3.10	2.71	2.48	2.22	2.07	1.86	1.49	
	17718	16.56	4.14	3.45	3.01	2.76	2.47	2.30	2.07	1.66	
	17720	18.17	4.54	3.79	3.30	3.03	2.71	2.52	2.27	1.82	
	20018	21.40	5.35	4.46	3.90	3.57	3.19	2.97	2.68	2.14	
	20020	24.50	6.13	5.10	4.45	4.08	3.66	3.40	3.06	2.45	
20025	28.09	7.02	5.85	5.10	4.68	4.20	3.90	3.51	2.81		
4.5	12115	8.44	1.87	1.56	1.36	1.25	1.12	1.04	0.94	0.75	
	12116	9.05	2.01	1.68	1.46	1.34	1.20	1.12	1.01	0.80	
	14015	9.94	2.21	1.84	1.61	1.47	1.32	1.23	1.10	0.88	
	14016	10.70	2.38	1.98	1.73	1.58	1.42	1.32	1.19	0.95	
	14018	11.36	2.52	2.10	1.84	1.68	1.51	1.40	1.26	1.01	
	14020	12.44	2.76	2.30	2.01	1.84	1.65	1.54	1.38	1.11	
	17715	12.35	2.74	2.29	2.00	1.83	1.64	1.53	1.37	1.10	
	17716	13.20	2.93	2.44	2.13	1.96	1.75	1.63	1.47	1.17	
	17718	14.66	3.26	2.72	2.37	2.17	1.95	1.81	1.63	1.30	
	17720	16.09	3.58	2.98	2.60	2.38	2.14	1.99	1.79	1.43	
	20018	18.47	4.10	3.42	2.98	2.74	2.44	2.28	2.05	1.64	
	20020	21.16	4.70	3.92	3.42	3.13	2.80	2.61	2.35	1.88	
20025	24.26	5.39	4.49	3.92	3.59	3.22	3.00	2.70	2.16		

# Purlins

## Side Rail Sleeve System

Span Metres	Section	U.D.L. kN	(Purlin Centres (mm))					Allowable Loads kN/m <sup>2</sup>			
			1000	1200	1375	1500	1675	1800	2000	2500	
5.0	12115	7.51	1.50	1.25	1.09	1.00	0.90	0.83	0.75	0.60	
	12116	8.06	1.61	1.34	1.17	1.08	0.96	0.90	0.81	0.65	
	14015	8.90	1.78	1.48	1.29	1.19	1.06	0.99	0.89	0.71	
	14016	9.57	1.91	1.60	1.39	1.28	1.14	1.06	0.96	0.77	
	14018	10.17	2.03	1.69	1.48	1.36	1.21	1.13	1.02	0.81	
	14020	11.14	2.22	1.86	1.62	1.49	1.33	1.24	1.11	0.89	
	17715	11.16	2.23	1.86	1.62	1.49	1.33	1.24	1.11	0.89	
	17716	11.92	2.38	1.99	1.73	1.59	1.42	1.32	1.19	0.95	
	17718	13.24	2.65	2.21	1.93	1.77	1.58	1.47	1.32	1.06	
	17720	14.54	2.91	2.42	2.11	1.94	1.74	1.62	1.45	1.16	
	20018	16.48	3.30	2.75	2.40	2.20	1.97	1.83	1.65	1.32	
	20020	18.88	3.78	3.15	2.75	2.52	2.25	2.10	1.89	1.51	
	20025	21.63	4.33	3.61	3.15	2.88	2.60	2.40	2.16	1.73	
5.5	14015	7.82	1.42	1.18	1.03	0.95	0.85	0.79	0.71	0.57	
	14016	8.41	1.53	1.27	1.11	1.02	0.91	0.85	0.76	0.61	
	14018	8.93	1.62	1.35	1.18	1.08	0.97	0.90	0.81	0.65	
	14020	9.79	1.78	1.48	1.29	1.19	1.06	0.99	0.89	0.71	
	17715	10.20	1.85	1.55	1.35	1.24	1.11	1.03	0.93	0.74	
	17716	10.90	1.98	1.65	1.44	1.32	1.18	1.10	0.99	0.79	
	17718	12.11	2.20	1.84	1.60	1.47	1.31	1.22	1.10	0.88	
	17720	13.29	2.42	2.01	1.76	1.61	1.44	1.34	1.21	0.97	
	20018	15.01	2.73	2.27	1.98	1.82	1.63	1.52	1.36	1.09	
	20020	17.19	3.13	2.60	2.28	2.08	1.87	1.74	1.56	1.25	
20025	19.31	3.51	2.93	2.55	2.34	2.09	1.95	1.76	1.40		
6.0	14015	6.67	1.11	0.93	0.81	0.74	0.66	0.62	0.56	0.44	
	14016	7.18	1.19	1.00	0.87	0.80	0.71	0.66	0.60	0.48	
	14018	7.63	1.27	1.06	0.92	0.85	0.76	0.71	0.64	0.51	
	14020	8.35	1.39	1.16	1.01	0.93	0.83	0.77	0.70	0.56	
	17715	9.16	1.53	1.27	1.11	1.02	0.91	0.85	0.76	0.61	
	17716	9.78	1.63	1.36	1.19	1.09	0.97	0.91	0.82	0.65	
	17718	10.87	1.81	1.51	1.32	1.21	1.08	1.01	0.91	0.72	
	17720	11.93	1.99	1.66	1.45	1.33	1.19	1.10	0.99	0.80	
	20018	13.59	2.27	1.89	1.65	1.51	1.35	1.26	1.13	0.91	
	20020	15.74	2.62	2.19	1.90	1.75	1.56	1.46	1.31	1.05	
20025	17.64	2.94	2.45	2.14	1.96	1.75	1.63	1.47	1.18		
6.5	17715	8.18	1.26	1.05	0.92	0.84	0.75	0.70	0.63	0.50	
	17716	8.73	1.34	1.12	0.98	0.90	0.80	0.75	0.67	0.54	
	17718	9.70	1.49	1.24	1.09	1.00	0.89	0.83	0.75	0.60	
	17720	10.65	1.64	1.37	1.19	1.09	0.98	0.91	0.82	0.66	
	20018	12.69	1.95	1.63	1.42	1.30	1.16	1.08	0.98	0.78	
	20020	14.53	2.24	1.86	1.63	1.49	1.34	1.24	1.12	0.89	
	20025	16.45	2.53	2.11	1.84	1.69	1.50	1.41	1.27	1.01	
7.0	20018	11.72	1.67	1.40	1.20	1.12	1.00	0.93	0.84	0.67	
	20020	13.35	1.91	1.59	1.39	1.27	1.14	1.06	0.95	0.76	
	20025	15.25	2.18	1.82	1.58	1.45	1.30	1.21	1.09	0.87	
7.5	20020	12.53	1.67	1.39	1.22	1.11	1.00	0.93	0.84	0.67	
	20025	14.21	1.89	1.58	1.37	1.26	1.12	1.05	0.95	0.76	
8.0	20025	12.70	1.59	1.32	1.15	1.06	0.95	0.88	0.79	0.64	
8.5	20025	10.61	1.25	1.04	0.90	0.83	0.75	0.69	0.62	0.50	