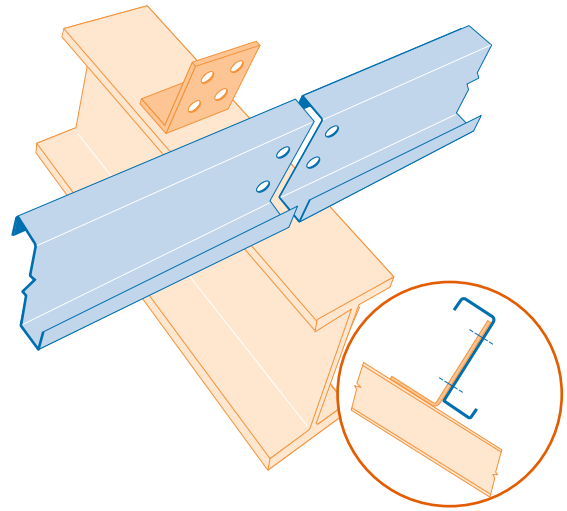


Zed Purlin Butt Systems

Performance

The performance of the systems shown in the table below have been derived by calculation in accordance with BS 5950 Part 5. Purlin load tables are valid up to and including 25° roof slopes.



Performance

Loading	Factor
Dead load	1.40
Dead load restraining uplift or overturning	1.00
Dead load acting with wind and imposed loads combined	1.20
Imposed load	1.60
Imposed load acting with wind load	1.20
Wind load	1.40
Wind load acting with imposed load	1.20
Forces due to temperature effects	1.20
Drifting Snow	1.05

Span Metres	Section	U.D.L. kN	Allowable Loads kN/m ²							
			1000	1200	1375	1500	1675	1800	2000	2500
3.5	12115	8.36	2.39	1.99	1.74	1.59	1.43	1.33	1.19	0.96
	12116	8.98	2.57	2.14	1.87	1.71	1.53	1.43	1.28	1.03
	14015	10.77	3.08	2.56	2.24	2.05	1.84	1.71	1.54	1.23
	14016	11.59	3.31	2.76	2.41	2.21	1.98	1.84	1.66	1.32
	14018	12.31	3.52	2.93	2.56	2.34	2.10	1.95	1.76	1.41
	14020	13.49	3.85	3.21	2.80	2.57	2.30	2.14	1.93	1.54
	17715	11.55	3.30	2.75	2.40	2.20	1.97	1.83	1.65	1.32
	17716	12.35	3.53	2.94	2.57	2.35	2.11	1.96	1.76	1.41
	17718	13.72	3.92	3.27	2.85	2.61	2.34	2.18	1.96	1.57
	17720	15.05	4.30	3.58	3.13	2.87	2.57	2.39	2.15	1.72
	20018	17.08	4.88	4.07	3.55	3.25	2.92	2.71	2.44	1.95
	20020	19.22	5.49	4.58	3.99	3.66	3.27	3.05	2.75	2.20
20025	23.49	6.71	5.59	4.88	4.47	4.00	3.73	3.35	2.68	
4.0	12115	6.40	1.60	1.33	1.16	1.07	0.96	0.89	0.80	0.64
	12116	6.87	1.72	1.43	1.25	1.15	1.03	0.95	0.86	0.69
	14015	8.51	2.13	1.77	1.55	1.42	1.27	1.18	1.06	0.85
	14016	9.16	2.29	1.91	1.66	1.53	1.37	1.27	1.15	0.92
	14018	9.73	2.43	2.03	1.77	1.62	1.45	1.35	1.22	0.97
	14020	10.66	2.67	2.22	1.94	1.78	1.59	1.48	1.33	1.07
	17715	10.20	2.55	2.13	1.85	1.70	1.52	1.42	1.28	1.02
	17716	10.90	2.73	2.27	1.98	1.82	1.63	1.51	1.36	1.09
	17718	12.11	3.03	2.52	2.20	2.02	1.81	1.68	1.51	1.21
	17720	13.29	3.32	2.77	2.42	2.22	1.98	1.85	1.66	1.33
	20018	14.58	3.65	3.04	2.65	2.43	2.18	2.03	1.82	1.46
	20020	16.41	4.10	3.42	2.98	2.74	2.45	2.28	2.05	1.64
20025	20.05	5.01	4.18	3.64	3.34	3.00	2.78	2.50	2.00	
4.5	12115	5.06	1.12	0.94	0.82	0.75	0.67	0.62	0.56	0.45
	12116	5.43	1.21	1.01	0.88	0.80	0.72	0.67	0.60	0.48
	14015	6.96	1.55	1.29	1.12	1.03	0.92	0.86	0.77	0.62
	14016	7.49	1.66	1.39	1.21	1.11	0.99	0.92	0.83	0.66
	14018	7.95	1.77	1.47	1.29	1.18	1.05	0.98	0.88	0.71
	14020	8.71	1.94	1.61	1.41	1.29	1.16	1.08	0.97	0.77
	17715	9.11	2.03	1.69	1.47	1.35	1.21	1.13	1.01	0.81
	17716	9.74	2.16	1.80	1.57	1.44	1.29	1.20	1.08	0.87
	17718	10.82	2.40	2.00	1.75	1.60	1.44	1.33	1.20	0.96
	17720	11.87	2.64	2.20	1.92	1.76	1.58	1.47	1.32	1.06
	20018	12.49	2.78	2.31	2.02	1.85	1.66	1.54	1.39	1.11
	20020	14.20	3.16	2.63	2.30	2.10	1.88	1.75	1.58	1.26
20025	17.17	3.82	3.18	2.78	2.54	2.28	2.12	1.91	1.53	

Purlins

Zed Purlin Butt Systems

Span Metres	Section	U.D.L. kN	(Purlin Centres (mm))				Allowable Loads kN/m ²			
			1000	1200	1375	1500	1675	1800	2000	2500
5.0	12115	4.55	0.91	0.76	0.66	0.61	0.54	0.51	0.46	0.36
	12116	4.89	0.98	0.81	0.71	0.65	0.58	0.54	0.49	0.39
	14015	5.83	1.17	0.97	0.85	0.78	0.70	0.65	0.58	0.47
	14016	6.28	1.26	1.05	0.91	0.84	0.75	0.70	0.63	0.50
	14018	6.67	1.33	1.11	0.97	0.89	0.80	0.74	0.67	0.53
	14020	7.30	1.46	1.22	1.06	0.97	0.87	0.81	0.73	0.58
	17715	8.09	1.62	1.35	1.18	1.08	0.97	0.90	0.81	0.65
	17716	8.64	1.73	1.44	1.26	1.15	1.03	0.96	0.86	0.69
	17718	9.60	1.92	1.60	1.40	1.28	1.15	1.07	0.96	0.77
	17720	10.54	2.11	1.76	1.53	1.40	1.26	1.17	1.05	0.84
	20018	11.03	2.21	1.84	1.60	1.47	1.32	1.23	1.10	0.88
	20020	13.00	2.60	2.17	1.90	1.73	1.56	1.44	1.30	1.04
	20025	15.17	3.03	2.53	2.20	2.02	1.80	1.69	1.52	1.21
5.5	14015	5.00	0.91	0.76	0.66	0.61	0.54	0.50	0.45	0.36
	14016	5.38	0.98	0.81	0.71	0.65	0.58	0.54	0.49	0.39
	14018	5.71	1.04	0.87	0.76	0.69	0.62	0.58	0.52	0.42
	14020	6.26	1.14	0.95	0.83	0.76	0.68	0.63	0.57	0.46
	17715	7.02	1.28	1.06	0.93	0.85	0.76	0.71	0.64	0.51
	17716	7.50	1.36	1.14	0.99	0.91	0.81	0.76	0.68	0.55
	17718	8.33	1.51	1.26	1.10	1.01	0.90	0.84	0.76	0.61
	17720	9.14	1.66	1.39	1.21	1.11	0.99	0.92	0.83	0.66
	20018	9.55	1.74	1.45	1.26	1.16	1.04	0.96	0.87	0.69
	20020	11.28	2.05	1.71	1.49	1.37	1.23	1.14	1.03	0.82
	20025	13.14	2.39	1.99	1.74	1.59	1.43	1.33	1.19	0.96
6.0	14015	4.36	0.73	0.61	0.53	0.48	0.43	0.40	0.36	0.29
	14016	4.69	0.78	0.65	0.57	0.52	0.47	0.43	0.39	0.31
	14018	4.98	0.83	0.69	0.60	0.55	0.50	0.46	0.42	0.33
	14020	5.46	0.91	0.76	0.66	0.61	0.54	0.51	0.45	0.36
	17715	5.55	0.93	0.77	0.67	0.62	0.55	0.51	0.46	0.37
	17716	5.93	0.99	0.82	0.72	0.66	0.59	0.55	0.49	0.40
	17718	6.59	1.10	0.91	0.80	0.73	0.66	0.61	0.55	0.44
	17720	7.23	1.21	1.00	0.88	0.80	0.72	0.67	0.60	0.48
	20018	8.22	1.37	1.14	0.99	0.91	0.82	0.76	0.69	0.55
	20020	9.48	1.58	1.32	1.15	1.05	0.94	0.88	0.79	0.63
	20025	11.31	1.89	1.57	1.38	1.26	1.12	1.05	0.94	0.75
6.5	17715	4.37	0.67	0.56	0.49	0.45	0.40	0.37	0.34	0.27
	17716	4.67	0.72	0.60	0.52	0.48	0.43	0.40	0.36	0.29
	17718	5.19	0.80	0.66	0.58	0.53	0.48	0.44	0.40	0.32
	17720	5.69	0.88	0.73	0.64	0.58	0.52	0.49	0.44	0.35
	20018	7.09	1.09	0.91	0.80	0.73	0.65	0.61	0.55	0.44
	20020	8.08	1.24	1.04	0.90	0.83	0.74	0.69	0.62	0.50
	20025	9.75	1.50	1.25	1.09	1.00	0.90	0.83	0.75	0.60
7.0	20018	6.19	0.88	0.74	0.64	0.59	0.54	0.49	0.44	0.35
	20020	6.97	1.00	0.83	0.73	0.66	0.60	0.55	0.50	0.40
	20025	8.51	1.22	1.01	0.89	0.81	0.73	0.68	0.61	0.49
7.5	20020	5.66	0.75	0.63	0.55	0.50	0.45	0.42	0.38	0.30
	20025	6.92	0.92	0.77	0.69	0.62	0.55	0.51	0.46	0.37
8.0	20025	5.70	0.71	0.59	0.52	0.48	0.42	0.40	0.36	0.29
8.5	20025	4.76	0.56	0.47	0.41	0.37	0.33	0.31	0.28	0.22